



// **FEATURES**

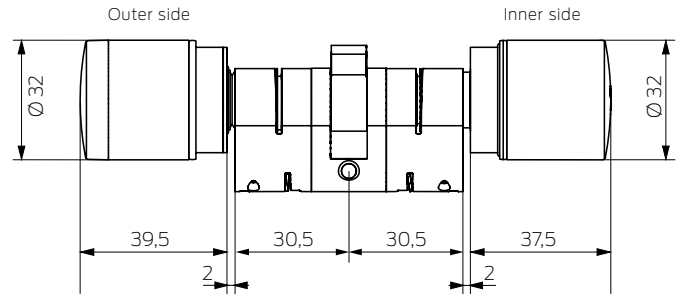
- ❑ Optimum data security: The SecureElement stores the encrypted system data and is part of the new AX security architecture. This special chip is an integral part of authentication and cannot be read from the outside.
- ❑ Drilling protection protects the actuator electronics and the cylinder profile (Euro Profile) against external attacks. Attack resistance proven with the integrated drilling protection: Highest classification key 2 as per the EN 15684 standard.
- ❑ Available for Wireless Online (WO) and Virtual Card Network (VCN) systems.
- ❑ Flexible thanks to the modular design: The Cylinder AX can be quickly and efficiently adapted to any door thickness thanks to individually adjustable cylinder lengths (EU).
- ❑ Very long battery life: up to 12 years on stand-by.
- ❑ Future-proof investment forms part of the SimonsVoss promise. The Cylinder AX can be integrated into an existing system (backwards compatible with existing components)
- ❑ Room for beauty: the Cylinder AX not only impresses with its appearance, but also thanks to its pleasant touch with ergonomic thumb-turns.
- ❑ Greater ease of use thanks to visual and audible feedback signals.
- ❑ Made in Germany. A given for us.

// **TECHNICAL DATA**

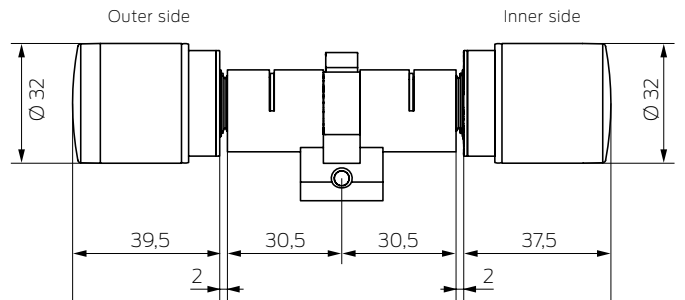
Profiles	<ul style="list-style-type: none"> ❑ Euro Profile Cylinder (EU) ❑ Swiss Round Cylinder (SR) ❑ Scandinavian Oval (SO) 	Battery life	Up to 12 years on standby or 100,000 activations (standard)
Basic length	from 30–30 mm (EU/SR) Short cylinder 25–25 mm (EU)	Temperature range	Operating: -25 °C to +65 °C (as per EN 15684)
Thumb-turns	Reader thumb-turn: Plastic cover, black Rotary thumb-turn: stainless steel Diameter: 32 mm	Protection rating	IP54 (standard) / IP67 (.WP option)
Reader systems	<ul style="list-style-type: none"> ❑ Wireless Online reader systems: MIFARE® Classic, MIFARE® DESFire®/EV1/EV2/EV3, UID (card serial number) as per ISO 14443 (e.g. MIFARE®, Legic® Advant, HID® SEOS) ❑ Virtual Card Network (VCN): MIFARE® Classic, MIFARE® DESFire®/EV1/EV2/EV3 ❑ Bluetooth Low Energy (BLE) in the pipeline 	Feedback signal	Audible (buzzer) and/or visual (LED – green/red)
Operation types	Online: WirelessOnline (WO) Offline: Virtual Card Network (VCN)	Accesses loggable offline	WO: up to 250 if locking device offline VCN: up to 1,000
Battery type	CR 2450, 3 V lithium Quantity: 2 x (standard)	Time zone groups	Depends on system integrator
		Number of media	Depends on system integrator
		Wireless network 868 MHz	Network-ready with integrated LockNode (WO)
		Can be upgraded	Firmware upgradable via BLE
		Certificates	<ul style="list-style-type: none"> ❑ EN 15684: Classification 16B4AF32 (standard/VdS) ❑ DIN 18252: classification key EE6DFZG (standard)/EE6DR1 (anti-panic)



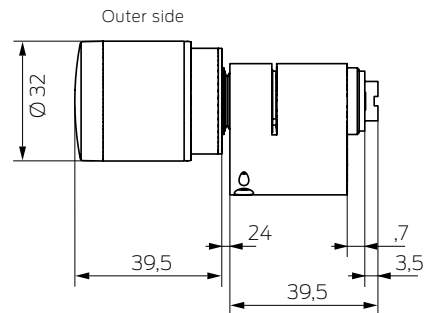
// SMARTINTEGO DIGITAL EURO PROFILE CYLINDER AX



// SMARTINTEGO DIGITAL SWISS ROUND CYLINDER



// SMARTINTEGO DIGITAL SCANDINAVIAN OVAL CYLINDER AX



See price list for further variants, options and accessories.

Measurements indicated in mm